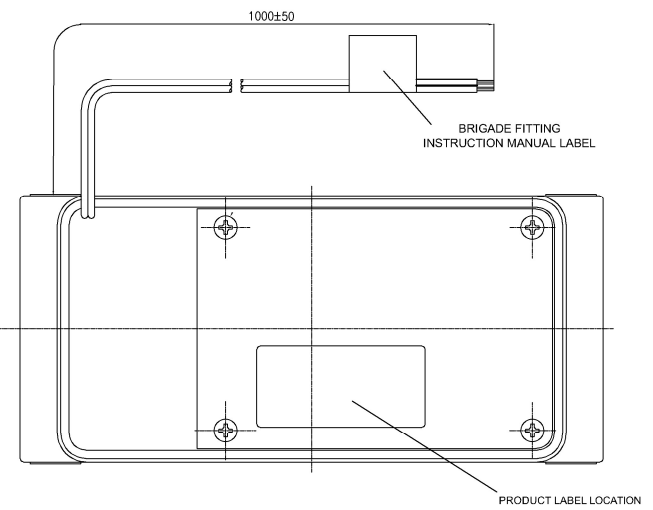
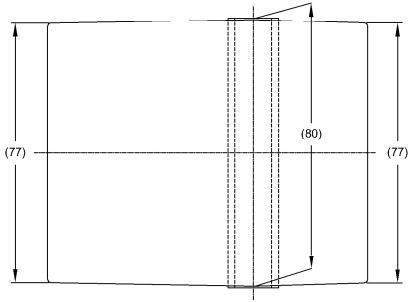
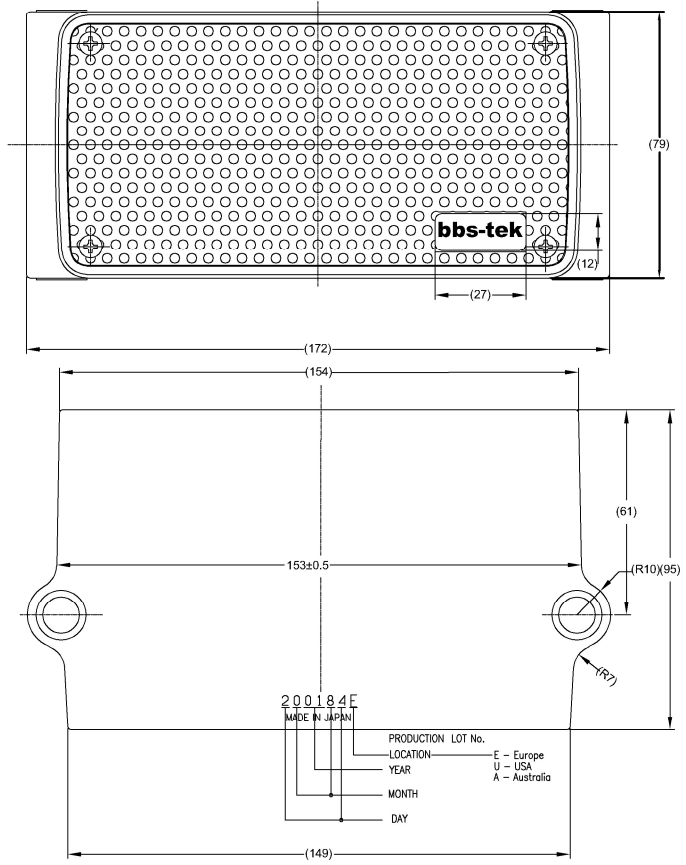


Revision Notes.				
R1 -				
APA: -	Drawn:-	Checked:-	Approved:-	Date: -



- SPECIFICATION:**
- 1) RATED VOLTAGE: 12/24 VOLTS DIRECT CURRENT (WORKING VOLTAGE RANGE 9-32 VOLTS)
 - 2) RATED CURRENT: 1 AMPERE OR LESS AT RATED VOLTAGE OF 24 VOLTS.
 - 3) SOUND PRESSURE: 102±4 dB AT RATED VOLTAGE OF 14/28 VOLTS (AS MEASURED AT A DISTANCE OF 1.2 METERS AND AT A HEIGHT OF 1.2 METERS ABOVE THE GROUND)
 - 4) INTERMITTENCY: 80±10 CYCLES PER MINUTE AT RATED VOLTAGES OF 14/28 VOLTS.
 - 5) TONE: WHITE SOUND.
 - 6) ENVIRONMENTAL TESTED TO SAEJ994.

NOTES:
 1. FOR PACKAGING & LABELING DETAIL REFER TO THE LATEST REVISION OF THE MASTER BOM.

PROPRIETARY NOTICE
 THIS DESIGN AND TECHNICAL INFORMATION APPEARING ON THIS DRAWING IS THE PROPERTY OF BRIGADE ELECTRONICS, AND IS DISCLOSED IN CONFIDENCE. IT IS NOT TO BE COPIED, REPRODUCED, REVEALED TO OR EXPROPRIATED BY OTHERS, EITHER IN WHOLE OR IN PART WITHOUT THE EXPRESS WRITTEN CONSENT OF BRIGADE ELECTRONICS.

BRIGADE®
 www.brigade-electronics.com

Assembly Pl Approval W. FUKUZAWA	Approved by A. KEBEDE	Checked by D. FOALE	Drawn by L. CHEUNG
	Units mm	Scale N/A	Released 14/06/24
	Status RELEASED	Assembly Ref BBS-102	
	Part No 0898A	BE-004908-00-24	